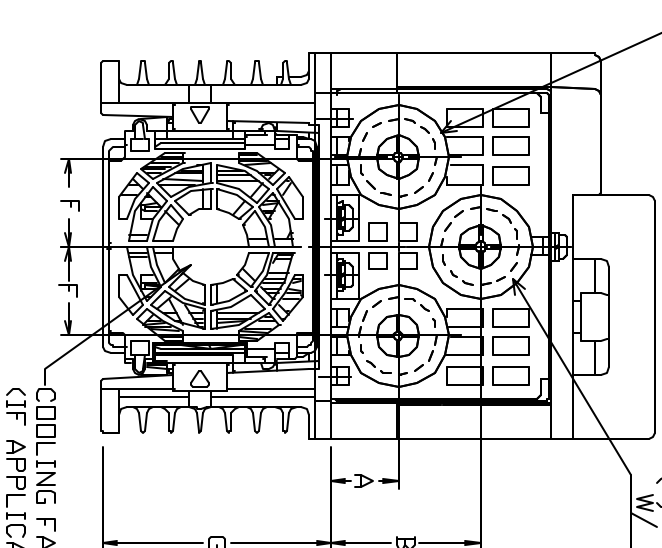


(2) LEAD-IN HOLES "J"
W/ RUBBER BUSHINGS

(1) LEAD-IN HOLES "K"
W/ RUBBER BUSHINGS



VOLTAGE	MODEL & PART NO.	CURRENT RATING	HP	RESISTANCE		DIMENSIONS IN INCHES													WEIGHT (LBS)	CLEANING METHOD	
				DC	AC	H	V	H ₂	V ₂	A	B	C	D	E	F	G	J	K			
230	2193	3.0	3	4.85	3.78	3.85	4.25	3.8	2.4	.88	.88	.88	.88	.88	.88	.88	.88	.88	3.5	FAN	
	2392	11.0	3	4.85	3.78	3.85	4.25	3.8	2.4	1.75	1.65	.88	1.10	.88	1.48	2.80	1.10	.87	3.7	FAN	
	2397	17.0	0	4.85	5.04	3.85	4.25	3.8	2.4	.88	1.10	.88	1.22	1.48	2.80	1.10	.87	3.7	2.6	SELF	
	4094	1.2	1/2	4.45	3.78	3.85	4.25	3.8	2.4	.75	1.25	.88	1.34	.87	.87	.87	.87	.87	3.7	2.6	SELF
	4094	1.8	3/4	4.45	3.78	3.85	4.25	3.8	2.4	.75	1.25	.88	1.34	.87	.87	.87	.87	.87	3.7	2.6	SELF
	4097	3.4	1	4.45	3.78	3.85	4.25	3.8	2.4	.88	1.10	.88	1.22	1.48	2.80	1.10	.87	.87	3.7	2.6	SELF
	4102	4.8	3	4.45	3.78	3.85	4.25	3.8	2.4	.88	1.10	.88	1.22	1.48	2.80	1.10	.87	.87	3.7	2.6	SELF
	4397	5.0	5	4.45	3.78	3.85	4.25	3.8	2.4	.88	1.10	.88	1.22	1.48	2.80	1.10	.87	.87	3.3	3.3	FAN

V7N DEVIGENET

FOR REFERENCE ONLY UNLESS PROPERLY ENDORSED.



DR BY JCM 10-4-02
APPVL. JAC 10-4-02